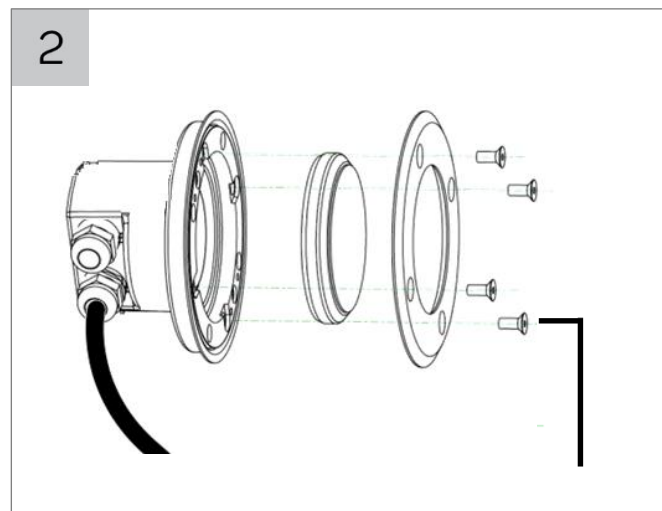
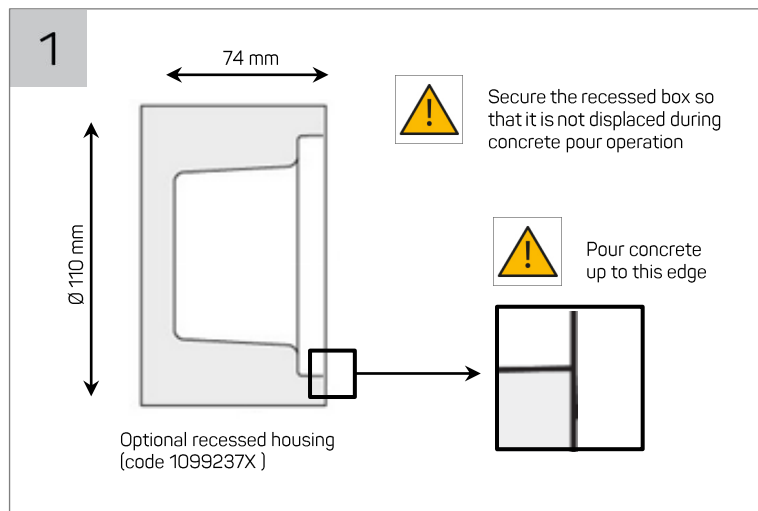




## INSTALLATION

1. Prepare wall with appropriate recessed opening, position recessed box in wall opening paying and pour concrete.
2. Remove trim and glass from fixture.
3. Wire the fixture according to the diagram.
4. Install the fixture in the recessed box.



**3**

Turn off power

Risk of fire/electric shock: Make sure the supply voltage or current matches the specified one.

The cable connection must have an IP rating at least equal or higher than the fixture itself.

**A WIRING 500mA**

REM-D versions: This is a constant current fixture. It requires a series connection of fixtures to the driver.

BROWN - LED (+)  
BLUE - LED (-)

Connect only to SELV drivers.

**B WIRING 24V**

REM-D versions: This is a constant voltage fixture. It requires a parallel connection of fixtures to the driver.

BROWN - LED (+)  
BLUE - LED (-)

**C WIRING 230V 50Hz**

LINE - BROWN  
GROUND - YELLOW/GREEN  
NEUTRAL - BLUE

**4**

Clean all gaskets and screen before closing

In order to evacuate any residual moisture, it is recommended to turn on for 30 minutes the fixtures before closing.